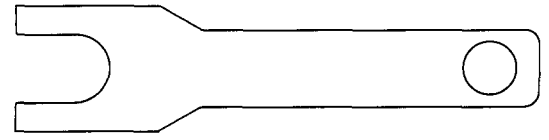
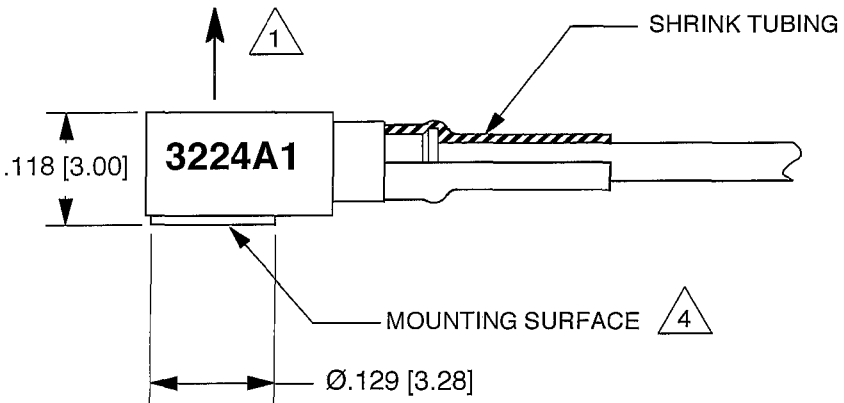
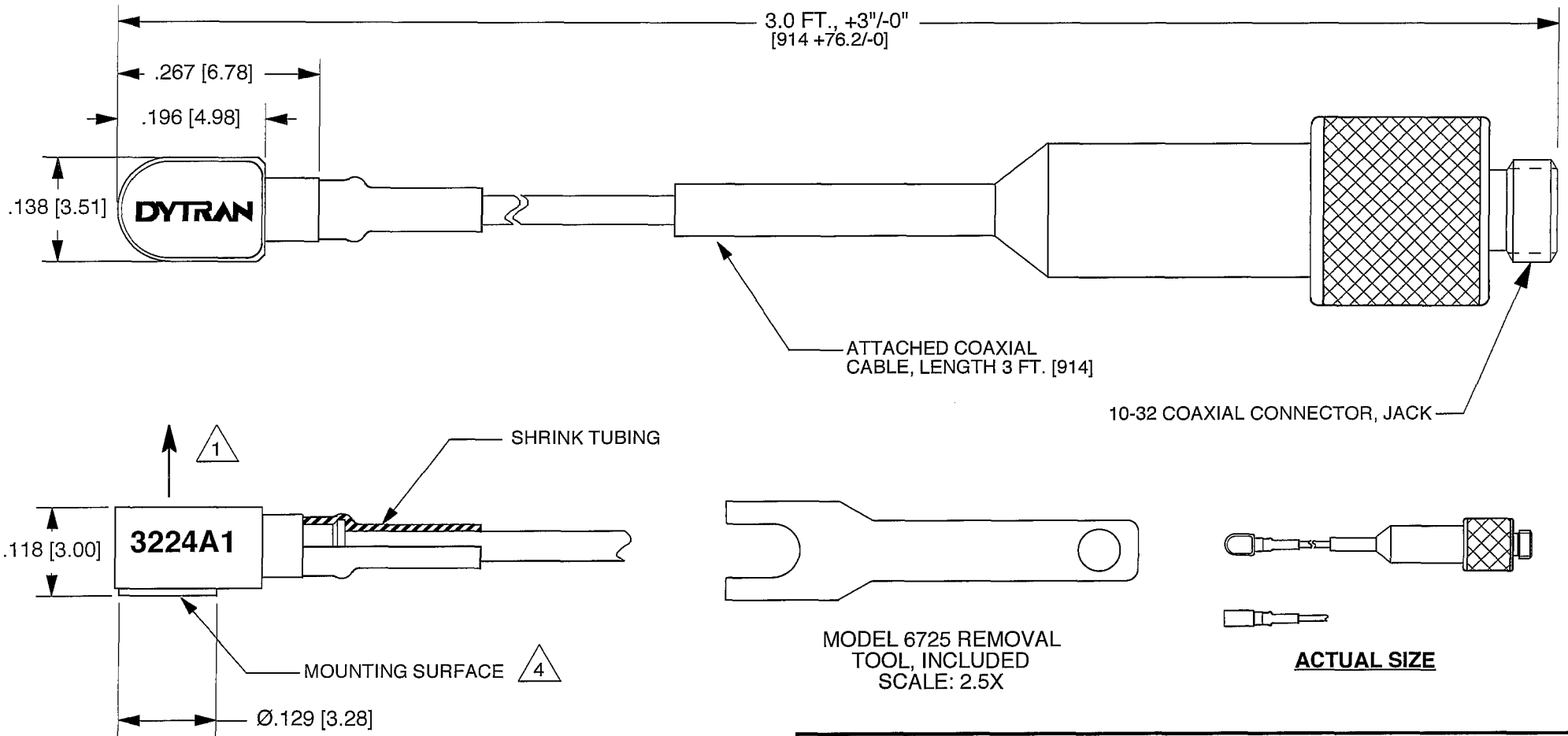
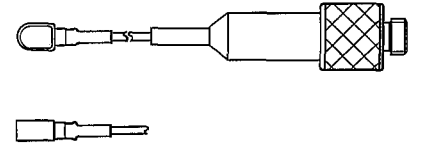


DYTRAN PROPRIETARY AND CONFIDENTIAL  
 THE INFORMATION CONTAINED IN THIS DRAWING IS THE SOLE PROPERTY OF  
 DYTRAN INSTRUMENTS, INC. AND ANY REPRODUCTION IN PART OR AS A  
 WHOLE OR ANY OTHER DISSEMINATION OF THIS INFORMATION WITHOUT THE  
 WRITTEN PERMISSION OF DYTRAN INSTRUMENTS, INC. IS PROHIBITED.

REV	ECN	DESCRIPTION	BY/DATE	CHK	APPR
C	8930	.27 [6.8] WAS: .247 [6.3]	LN, 07/30/12	JS	NC
D	9935	UPDATED VIEW OF CONNECTOR	AB 05/09/13	JS	RT
E	10349	REDIMENSIONED BODY OF 3224A1	NC/-09-09-13	MH	RT



MODEL 6725 REMOVAL  
 TOOL, INCLUDED  
 SCALE: 2.5X



ACTUAL SIZE

- 4 APPLY ADHESIVE TO THIS SURFACE TO MOUNT.
- 3. CASE AND CONNECTOR MATERIAL: TITANIUM.
- 2. WEIGHT LESS CABLE: 0.2 GRAMS.
- 1 ARROW INDICATES SENSE AND DIRECTION OF INPUT ACCELERATION FOR POSITIVE GOING OUTPUT SIGNAL.

UNLESS OTHERWISE SPECIFIED:  
 DIMENSIONS ARE IN INCHES.  
 DIMENSIONS IN BRACKETS [ ] ARE IN MILLIMETERS.  
 TOLERANCES ARE:

INCHES	METRIC	ANGLES
.XX ±.03	.X ±0.8	±1°
.XXX ±.005	.XX ±0.25	

**MASTER**  
 ONLY IF IN RED

CHATSWORTH, CA.

SCALE 5X	DESIGN N.C.	DATE 1/15/08			
DRAWN N.C.	DATE 1/15/08	PART NO. MODEL 3224A1			
CHECKED CES	DATE 3/25/09	MAT'L			REV E
APPROVED ANS	DATE 3/23/09	NEXT ASSEMBLY	USED ON		
TITLE <b>OUTLINE/INSTALLATION DRAWING, MODEL 3224A1 ACCELEROMETER, 10 mV/g</b>			DWG NO. <b>127-3224A1</b>		
			SHEET 1 OF 1		

<b>MODEL NUMBER</b> <b>3224A1</b>	<b>PERFORMANCE SPECIFICATION</b>	<b>DOC NO.</b> <b>PS3224A1</b>
--------------------------------------	----------------------------------	-----------------------------------

<b>IEPE ACCELEROMETER</b>		REV F, ECN 10558, 11/20/2013
---------------------------	--	------------------------------



- **MINIATURE SIZE**
- **HIGH SENSITIVITY**
- **EPOXY SEALED CABLE CONNECTION**

**PHYSICAL**

Weight, Less Cable  
Mounting Provision  
Connector [2]  
Case Material  
Sensing Element

ENGLISH			SI	
0.007	oz		0.2	grams
[1]			[1]	
Integral cable			Integral cable	
Titanium			Titanium	
Planar Shear Piezoceramic			Planar Shear Piezoceramic	

**PERFORMANCE**

Sensitivity [3] [4]  
Range F.S. For ± 5 Volts Output  
Frequency Response, ±10%  
Resonant Frequency, NOM  
Equivalent Electrical Noise Floor  
Amplitude Non-Linearity [5]  
Transverse Sensitivity, Max.  
Strain Sensitivity @250µε

9 to 14	mV/g	.9 to 1.4	mV/ m/s <sup>2</sup>
± 500	g	± 4905	m/s <sup>2</sup>
0.3 to 20000	Hz	0.3 to 20000	Hz
>95	kHz	>95	kHz
0.023	g rms	0.225	m/s <sup>2</sup> rms
± 2%	%F.S	± 1%	%F.S
5%		5%	
0.14	g/µε	1.37	m/s <sup>2</sup> /µε

**ENVIRONMENTAL**

Maximum Vibration  
Maximum Shock  
Temperature Range  
Seal

900	grms	8820	m/s <sup>2</sup> rms
3000	±gpk	29400	± m/s <sup>2</sup> pk
-60 to +300	°F	-51 to 149	°C
Laser welded, Epoxy Sealed Cable		Laser welded, Epoxy Sealed Cable	

**ELECTRICAL**

Supply Current [6]  
Compliance Voltage Range  
Output Impedance TYP  
Bias Voltage  
Discharge Time Constant  
Output Signal Polarity for Acceleration Toward Top  
Case Grounding

2 to 20	mA	2 to 20	mA
18 to +30	V	18 to +30	V
100	Ω	100	Ω
+8 to +10	VDC	+8 to +10	VDC
1.1 to 1.5	sec	1.1 to 1.5	sec
Positive		Positive	
[7]		[7]	

**This family also includes:**

Model	Sensitivity (mV/g)	Range (Gpeak)	Resolution (Grms)	Oper. Temp(°F)	TC (sec)
3224A2	2 to 5	2500	0.03	-60 to 300	0.3 to 1.0
3224A3	5 to 10	1000	0.037	-60 to 300	1.1 to 1.5
3224A4	1 to 2.5	5000	0.045	-60 to 300	0.3 to 1.0

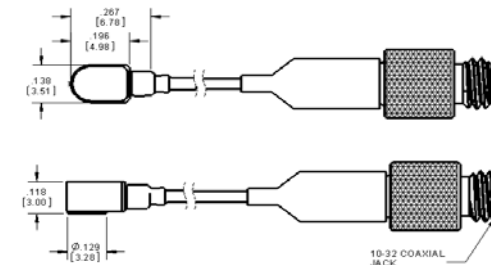
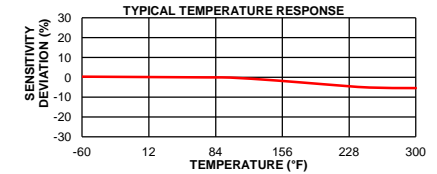
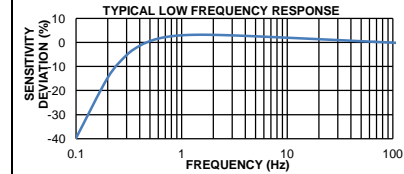
Please, refer to the performance specifications of the products in this family for detailed description.

**Supplied Accessories:**

- 1) Model 6725 installation removal wrench.
- 2) Sample of " Small Petro Mounting Wax".
- 3) Accredited calibration certificate (ISO 17025)

**Notes:**

- [1] Flat mounting surface for adhesive mount.
  - [2] 10-32 Jack at end of integral 3FT.cable
  - [3] Measured at 100 Hz, 1 g rms per ISA RP 37.2.
  - [4] Actual sensitivity is given on a calibration certificate traceable to ISO 17025, supplied with each instrument
  - [5] Measured using zero-based best straight-line method.
  - [6] Do not apply power to this device without current limiting, 20 mA MAX.
  - [7] To do so will destroy the integral IC amplifier.
- [7] Case is grounded to electrical signal/power ground.



Units on the line drawing are in inches, units in brackets are in millimeters. Refer to 127-3224A1 for more information.



21592 Marilla Street, Chatsworth, California 91311 Phone: 818.700.7818 Fax:818.700.7880 www.dytran.com  
For permission to reprint this content, please contact info@dytran.com